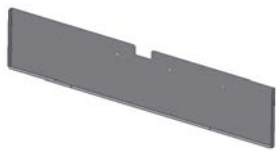




# INSTALLATION INSTRUCTIONS

## DIVIDER KIT REF #168, #172

Please read and fill out the enclosed warranty registration card to activate your warranty.



#23.1.1 - Large dividers per drawer



#23.1.2 - Small dividers

### HARDWARE PACKAGE (Hardware & quantities may vary)



#23.1.3.5 - 10-32x5/8" Screws



#23.1.3.3 - 10-32x1/2" Screws



#23.1.3.4 - 10-32 Nuts



#23.1.3.1 - 8-32x1/2" Flat head screws



#23.1.3.2 - 8-32 Nuts



#23.1.3.6 - 1/4" x 3/4" Self tapping screws

### TOOLS AND SUPPLIES NEEDED

- Phillips head screwdriver
- 3/8" & 11/32" Nut driver, socket & ratchet or wrench

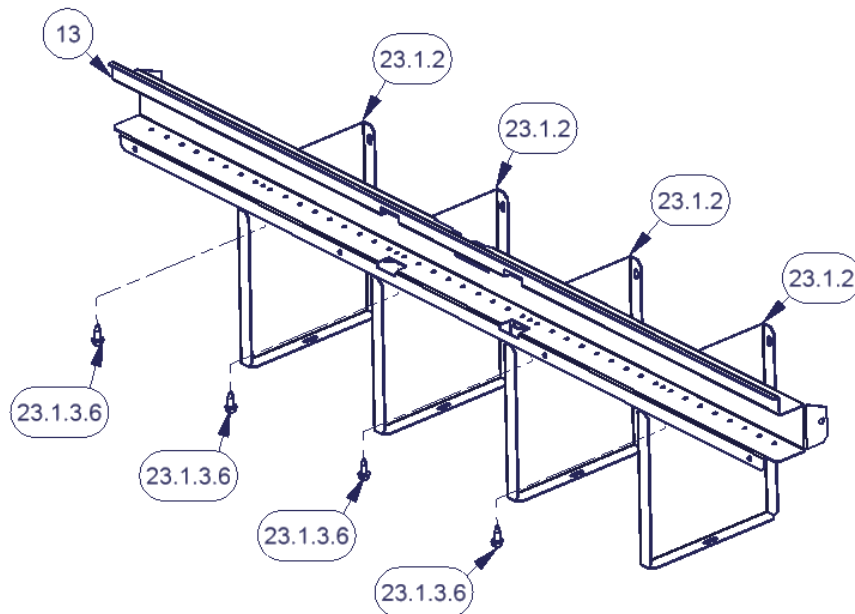
**Note:** Dividers do not come pre-installed due to the many different configuration options available.

### INSTALLATION

1. Fasten #23.1.2 dividers to the latch cover #13 (Already installed in the drawer) using the illustrated hardware #23.1.3.6 self tapping screws. Side by side drawers have the dividers split between both drawers. (See Figure 1)

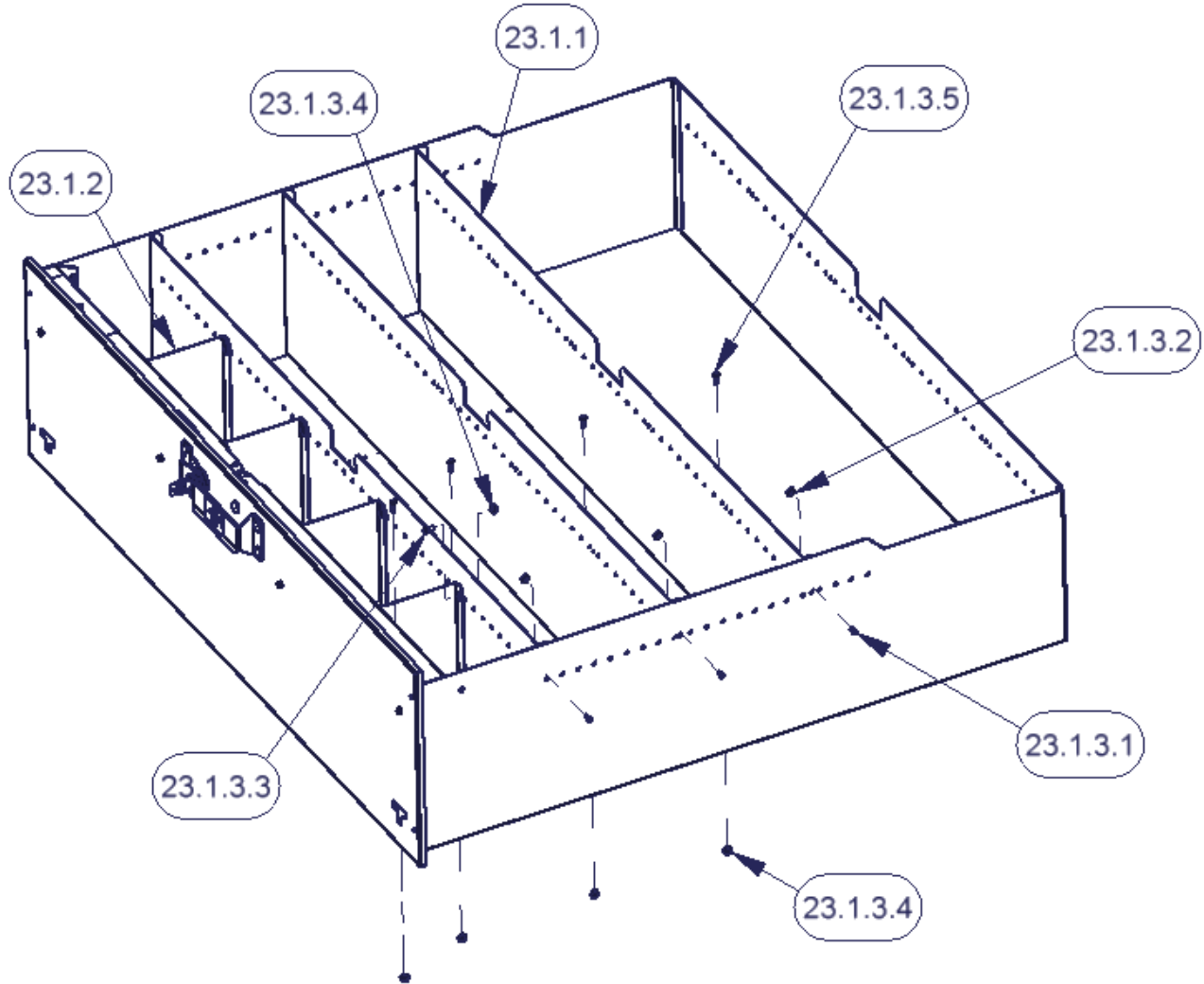
**Note:** On some drawer models the #23.1.3.6 Self tapping screws cannot be used because the mounting holes in the bottom of the front latch cover #13 are too large and therefore #23.1.3.5 Screws and #23.1.3.4 Nuts will need to be substituted. In this case the latch cover #13 will need to be removed from each drawer to install the dividers. To remove the #13 latch cover unfasten the screws to the latch, the screws and nuts to the drawer face and the screws & nuts on each side. Then fasten the #23.1.2 dividers to the latch cover #13 using the #23.1.3.5 screws and #23.1.3.4 nuts and refasten the #13 latch cover.

### FIGURE 1



2. Fasten the bottom of #23.1.2 dividers to the bottom of the drawer using #23.1.3.5 screws and #23.1.3.4 nuts. (See Figure 2)
3. Install the #23.1.1 dividers in each drawer using the illustrated hardware. The front divider must be mounted in the first holes but subsequent dividers can be mounted at 1 inch centers for a variety of configurations. (See Figure 2)

**FIGURE 2**



Call (970) 564-1762 for Technical Support